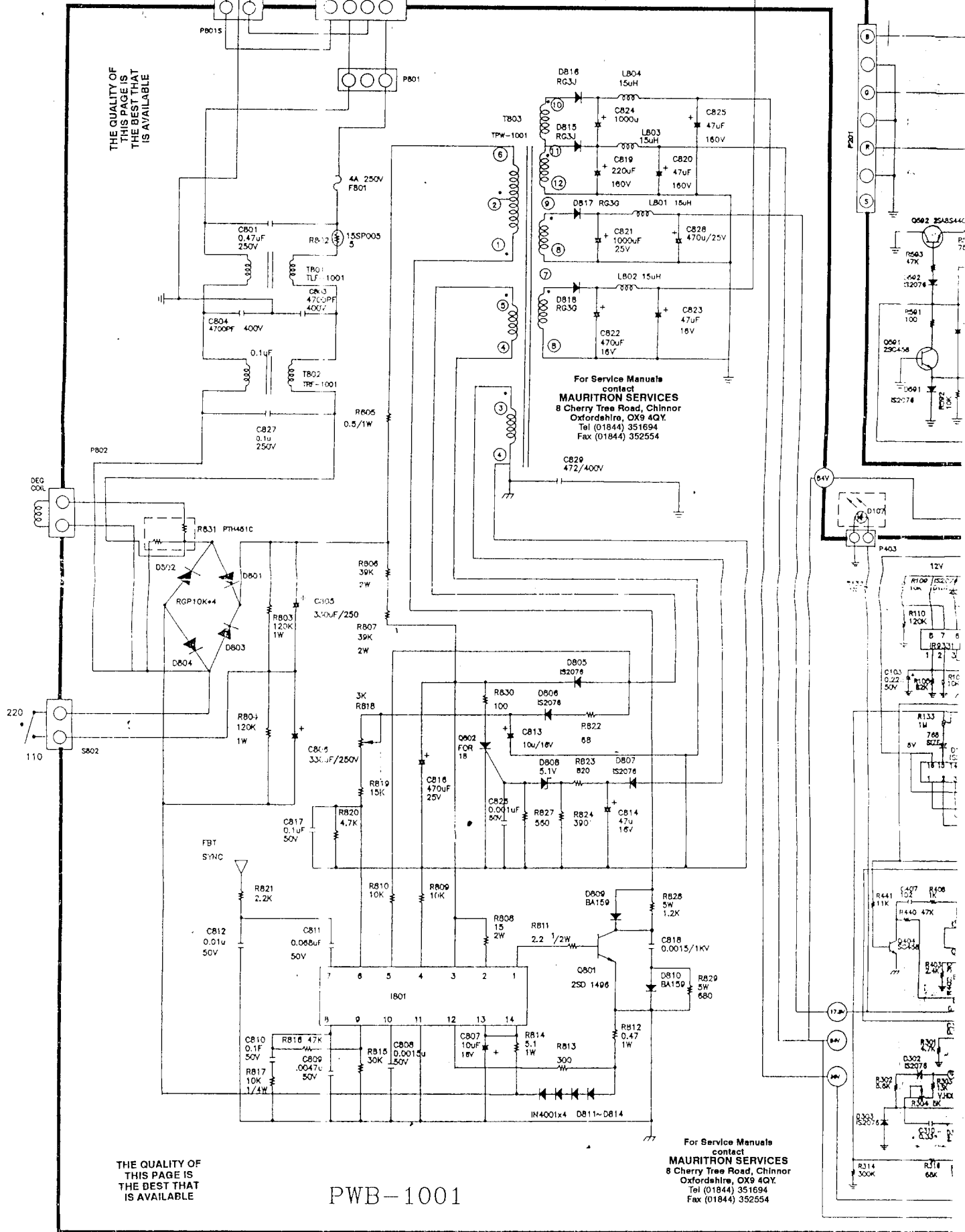


PS GOES OPEN,
 IT AND TEA 2019
 812. CHECK RB14,
 ID POWER TRANSISTOR

OPUS

COLOR MONITOR CM1414E CIRCUIT DIAGRAM CHUNTEX

THE QUALITY OF
 THIS PAGE IS
 THE BEST THAT
 IS AVAILABLE



For Service Manuals
 contact
MAURITRON SERVICES
 8 Cherry Tree Road, Chinnor
 Oxfordshire, OX9 4QY.
 Tel (01844) 351694
 Fax (01844) 352554

THE QUALITY OF
 THIS PAGE IS
 THE BEST THAT
 IS AVAILABLE

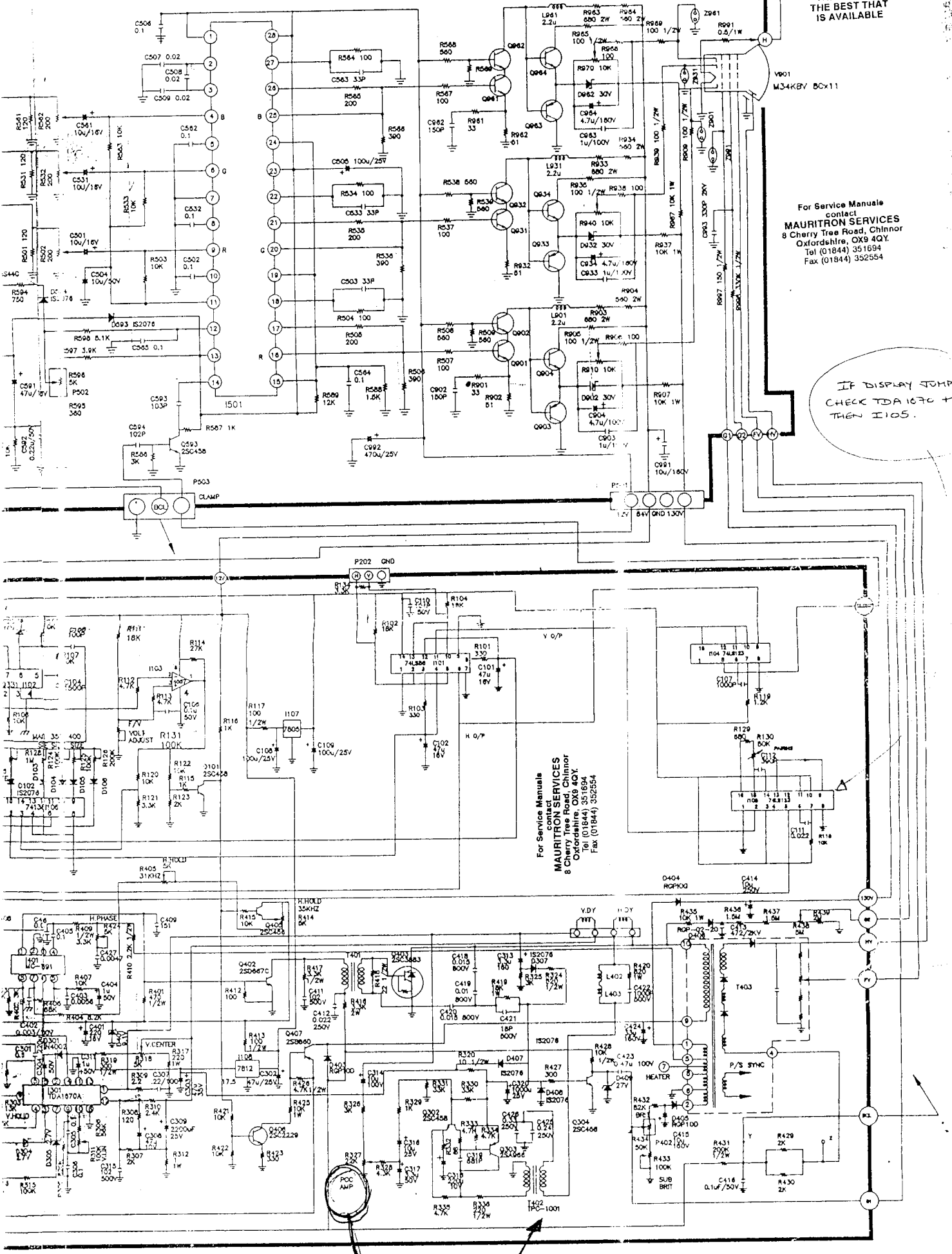
PWB-1001

For Service Manuals
 contact
MAURITRON SERVICES
 8 Cherry Tree Road, Chinnor
 Oxfordshire, OX9 4QY.
 Tel (01844) 351694
 Fax (01844) 352554

PWB-1002

Q901, Q831, Q961 Z5C4367
Q902, Q932, Q962 Z5C4044
Q903, Q833, Q963 Z5B7164D
Q904, Q834, Q964 Z5D7664D

THE QUALITY OF
THIS PAGE IS
THE BEST THAT
IS AVAILABLE



For Service Manual contact
MAURITRON SERVICES
8 Cherry Tree Road, Chinnor
Oxfordshire, OX9 4QY.
Tel (01844) 351694
Fax (01844) 352554

IF DISPLAY JUMP
CHECK TDA 1070 +
THEN I105.

For Service Manuals contact
MAURITRON SERVICES
8 Cherry Tree Road, Chinnor
Oxfordshire, OX9 4QY.
Tel (01844) 351694
Fax (01844) 352554

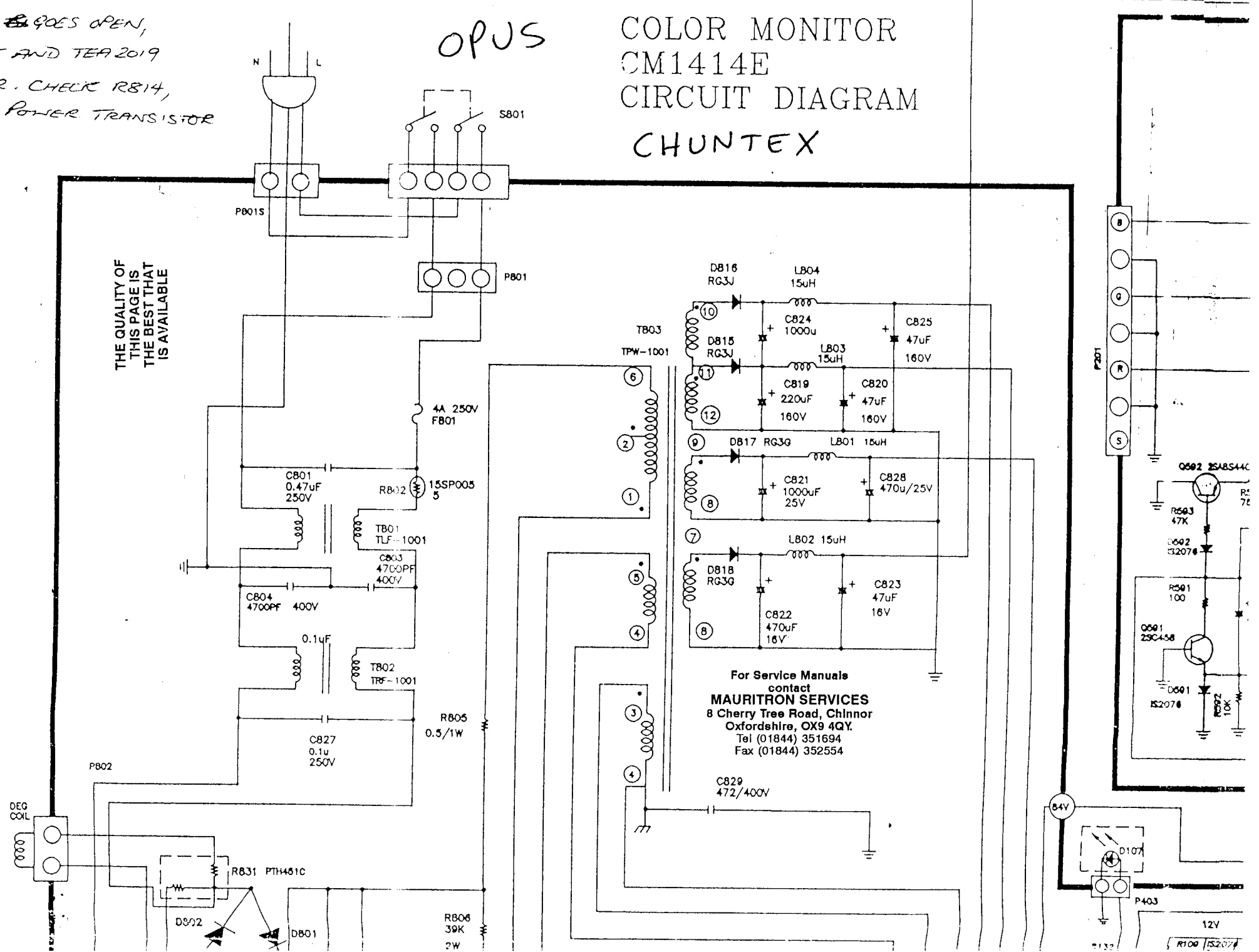
PFC AMP

1. GOES OPEN,
 AND TEA 2019
 2. CHECK RB14,
 POWER TRANSISTOR

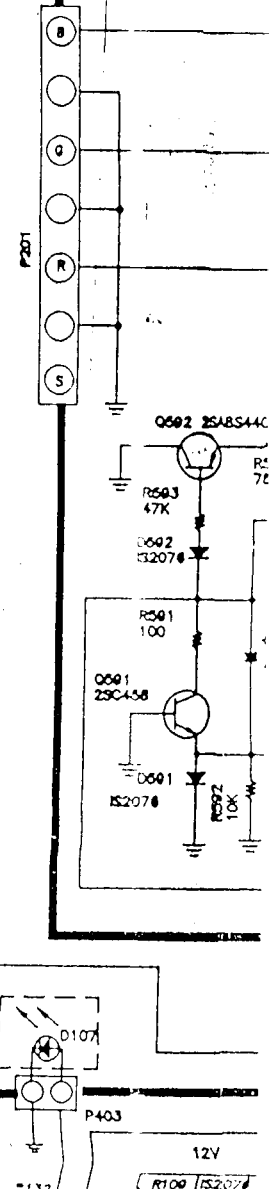
OPUS

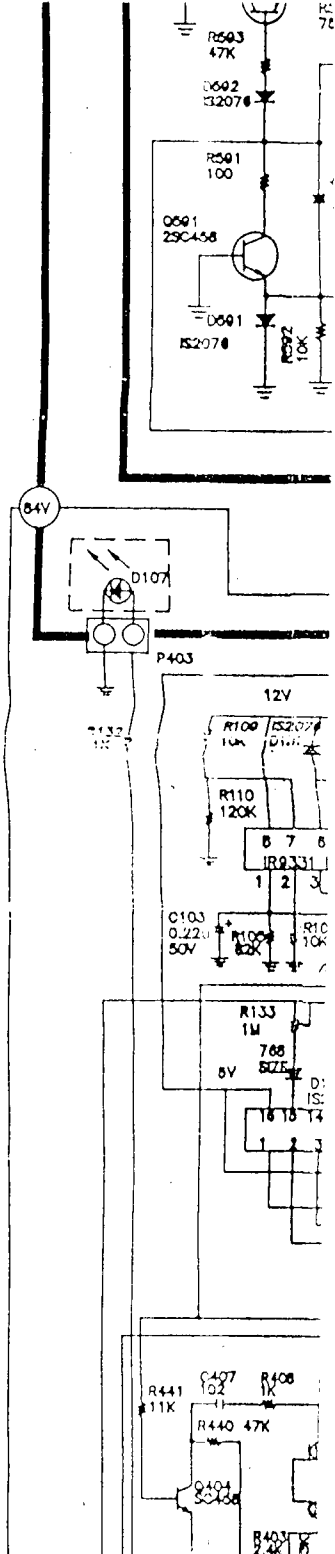
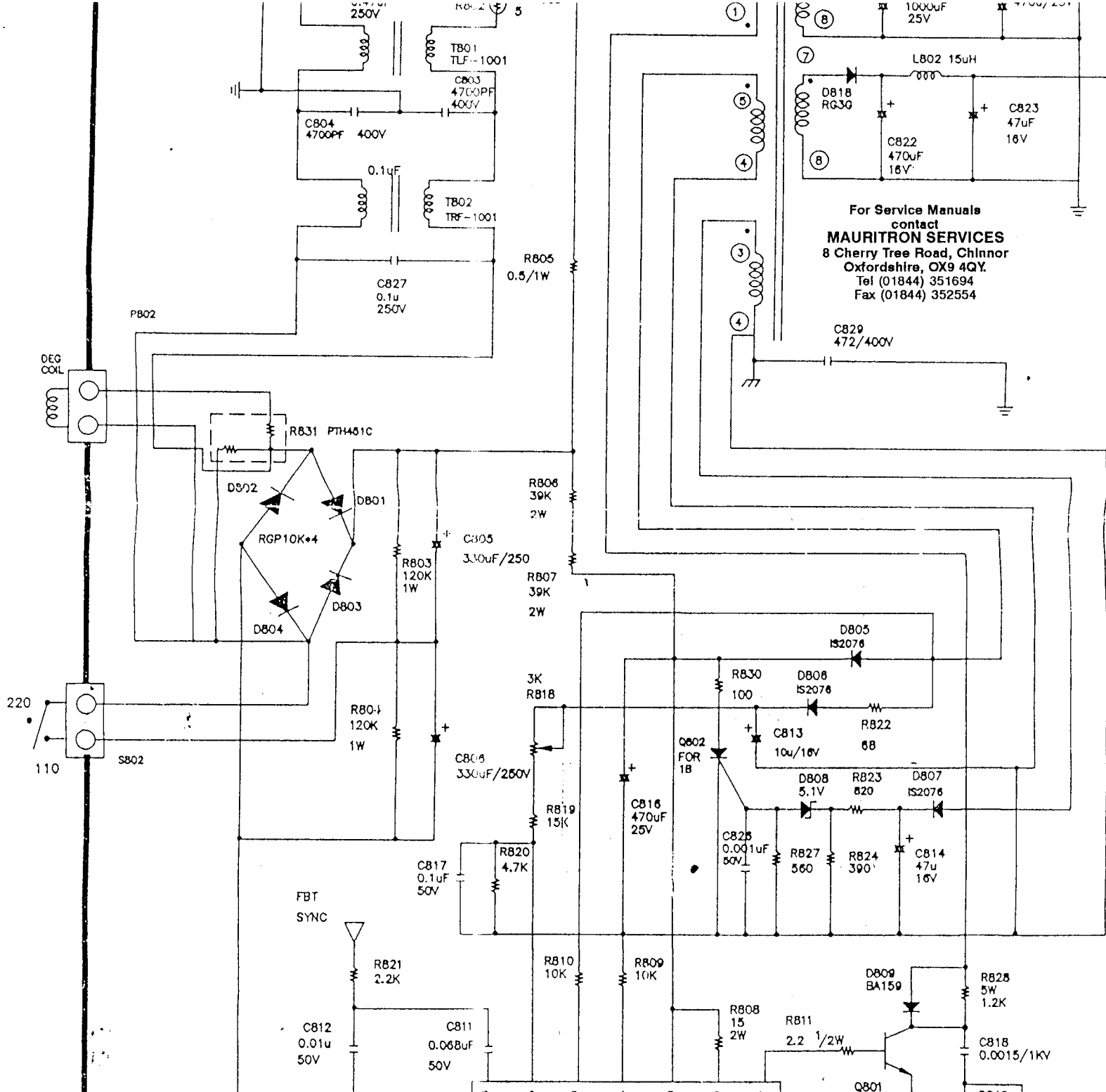
COLOR MONITOR
 CM1414E
 CIRCUIT DIAGRAM
 CHUNTEX

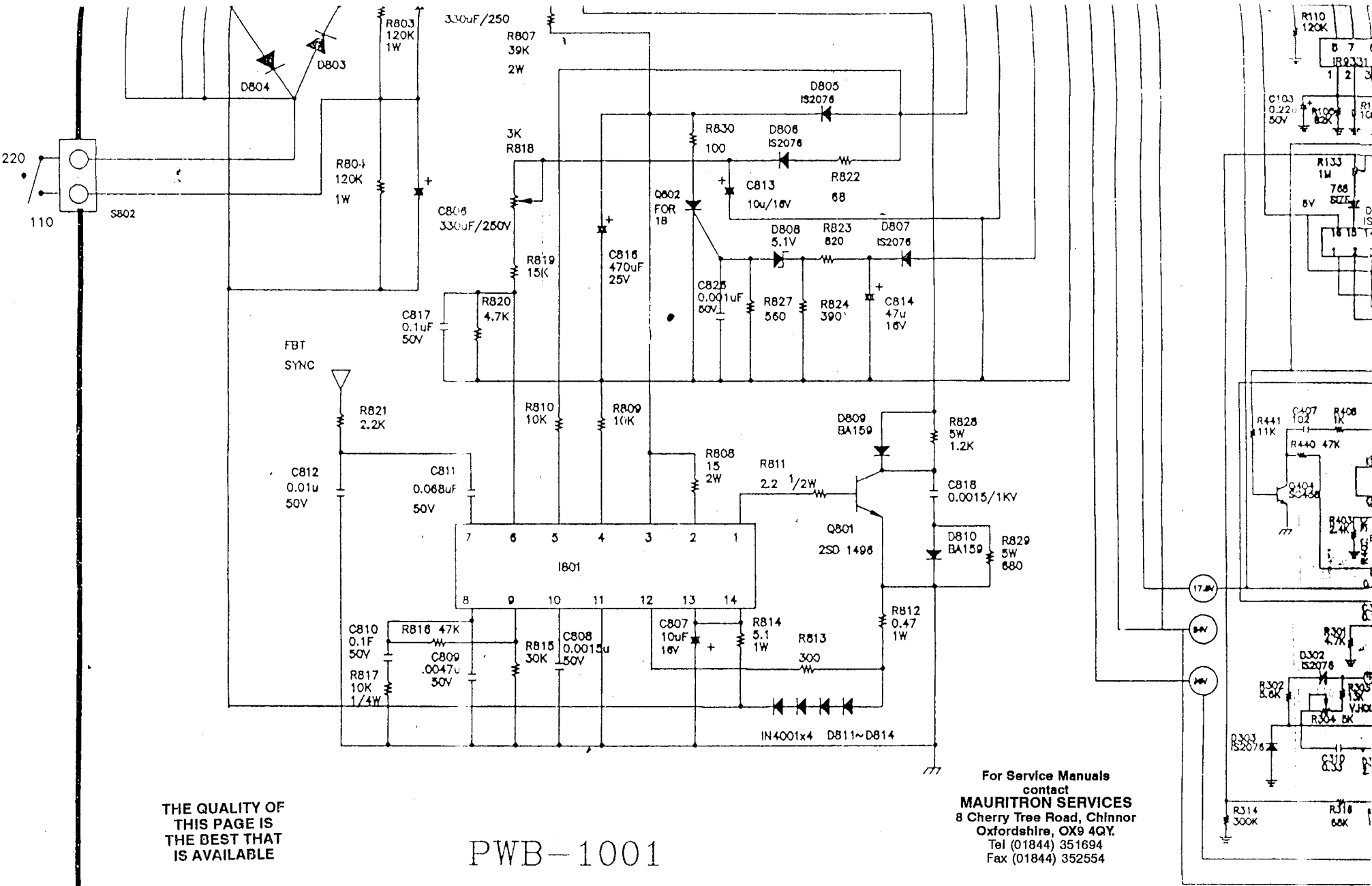
THE QUALITY OF
 THIS PAGE IS
 THE BEST THAT
 IS AVAILABLE



For Service Manuals
 contact
MAURITRON SERVICES
 8 Cherry Tree Road, Chinnor
 Oxfordshire, OX9 4QY.
 Tel (01844) 351694
 Fax (01844) 352554



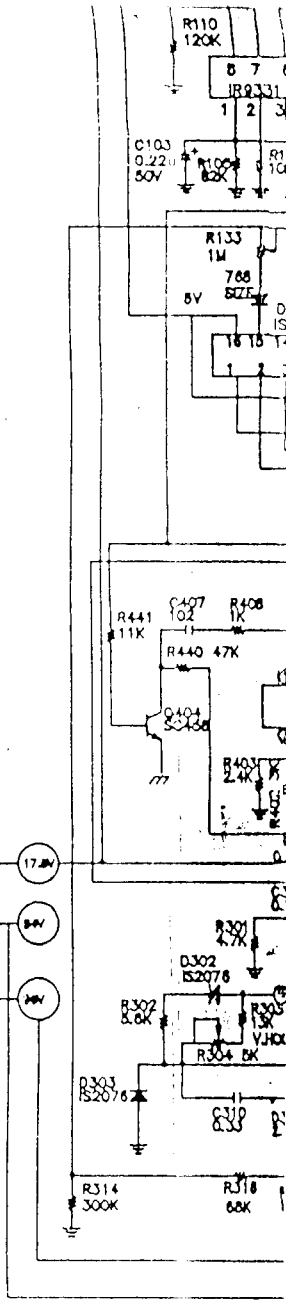




THE QUALITY OF
THIS PAGE IS
THE BEST THAT
IS AVAILABLE

PWB-1001

For Service Manuals
contact
MAURITRON SERVICES
8 Cherry Tree Road, Chinnor
Oxfordshire, OX9 4QY.
Tel (01844) 351694
Fax (01844) 352554

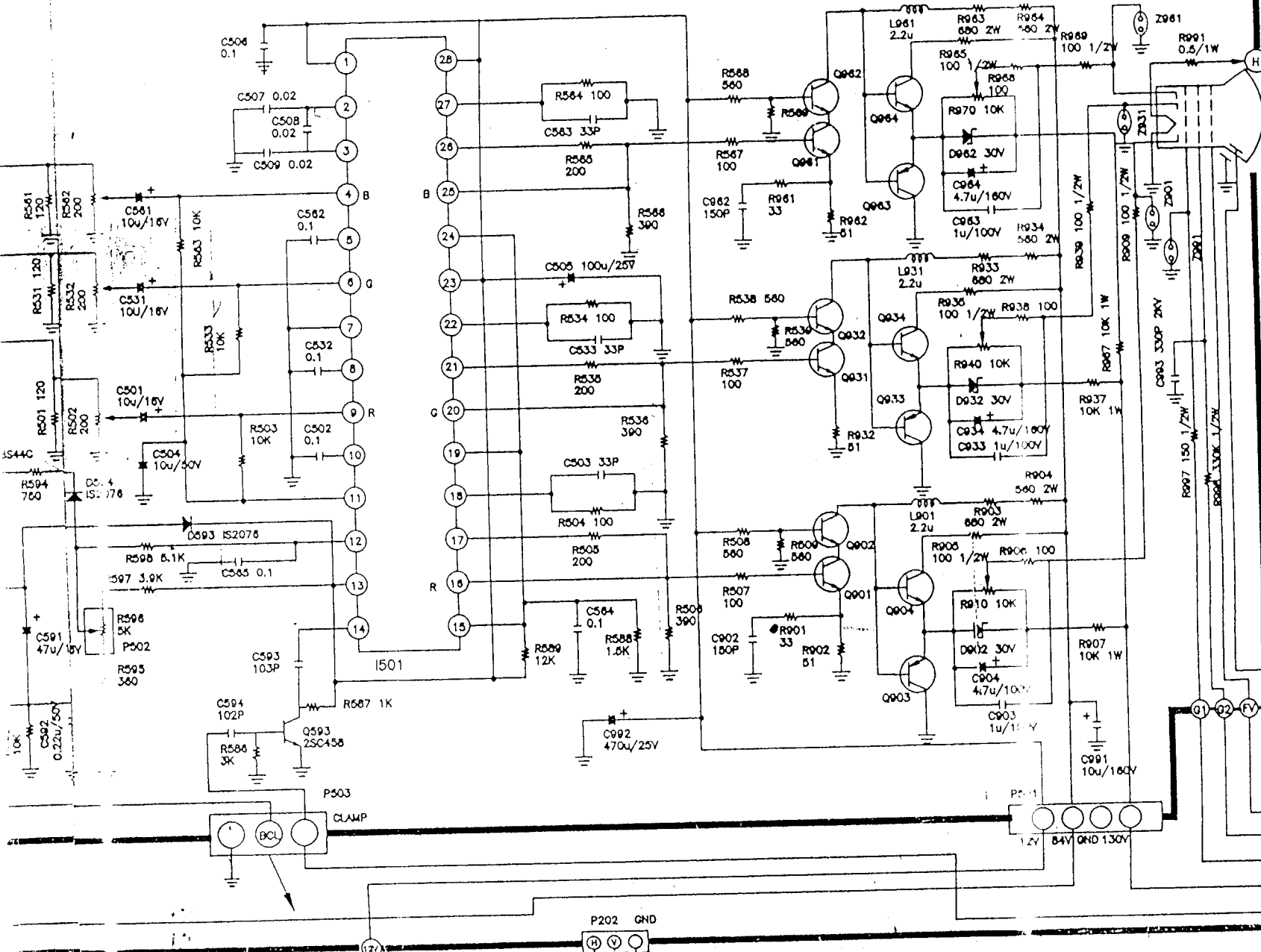


LIGHTON VGH

PWB-1002

- Q901, Q931, Q961 2SC4367
- Q902, Q932, Q962 2SC4046
- Q903, Q933, Q963 2SB718AD
- Q904, Q934, Q964 2SD756AD

THE QUALITY OF THIS PAGE IS THE BEST THAT IS AVAILABLE



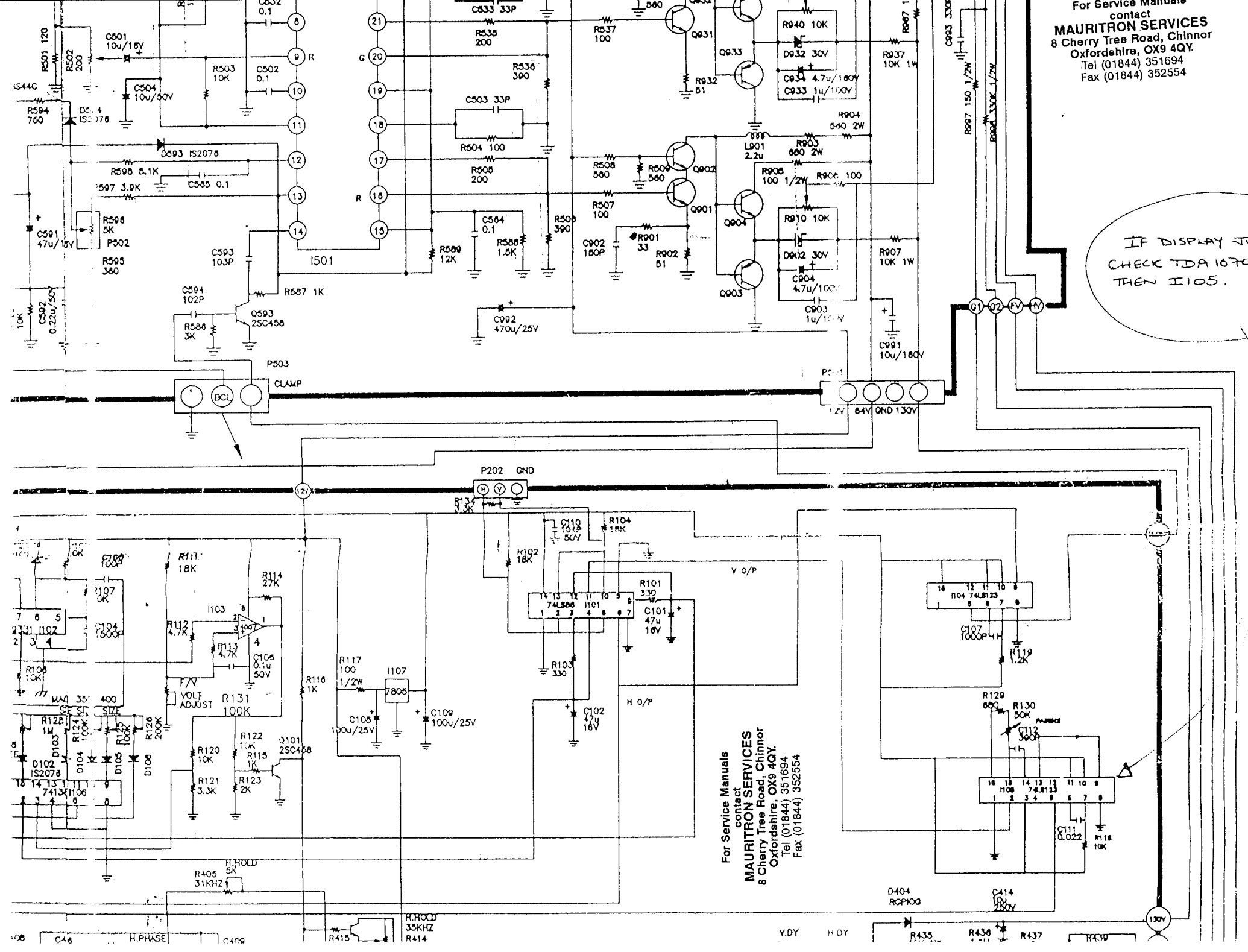
V901
M34KV 8x11

For Service Manuals
contact
MAURITRON SERVICES
8 Cherry Tree Road, Chinnor
Oxfordshire, OX9 4QY.
Tel (01844) 351694
Fax (01844) 352554

IF DISPLAY TO
CHECK TDA 1670
THEN I105.

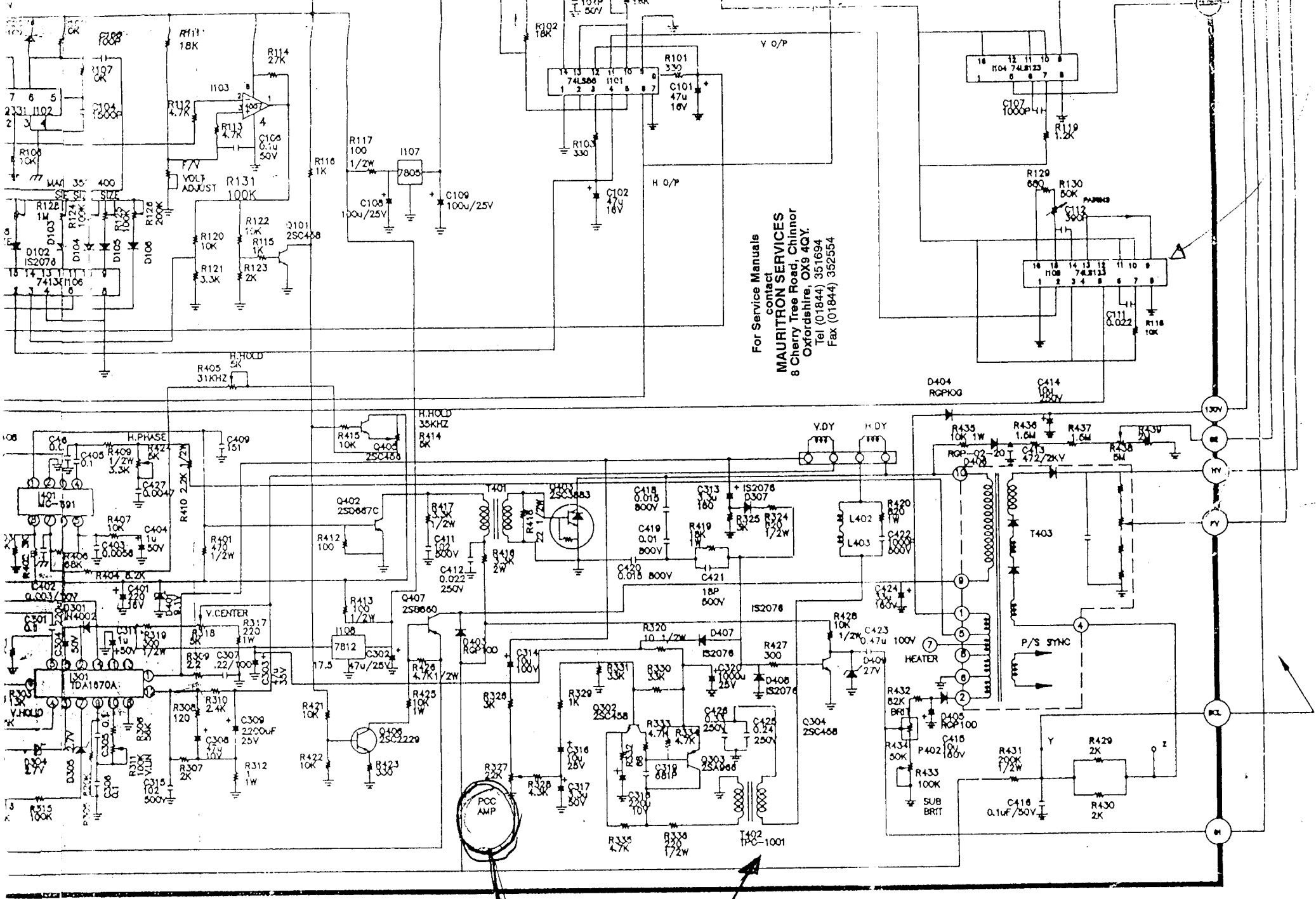
For Service Manuals
 contact
MAURITRON SERVICES
 8 Cherry Tree Road, Chinnor
 Oxfordshire, OX9 4QY.
 Tel (01844) 351694
 Fax (01844) 352554

IF DISPLAY JO
 CHECK TDA 1670
 THEN I105.



For Service Manuals
 contact
MAURITRON SERVICES
 8 Cherry Tree Road, Chinnor
 Oxfordshire, OX9 4QY.
 Tel (01844) 351694
 Fax (01844) 352554

100 C46 H.PHASE C49 R415 H.HOLD 35KHZ R414 V.DY H.OY R435 R436 R437 R438



For Service Manuals
 contact
MAURITRON SERVICES
 8 Cherry Tree Road, Chinnor
 Oxfordshire, OX9 4QY
 Tel (01844) 351694
 Fax (01844) 352554

POC
 AMP

HEATER

P/S SYNC

130V

110V

90V

70V

50V

30V

10V

0V

V O/P

H O/P

H.HOLD
 R405 5K

H.HOLD
 R314 5K

H.PHASE
 R409 1/2W

V.CENTER
 R317 220 1W

V.HOLD
 R305 2W

Y.OY

H.OY

POP-02-20

HEATER

P/S SYNC

130V

110V

90V

70V

50V

30V

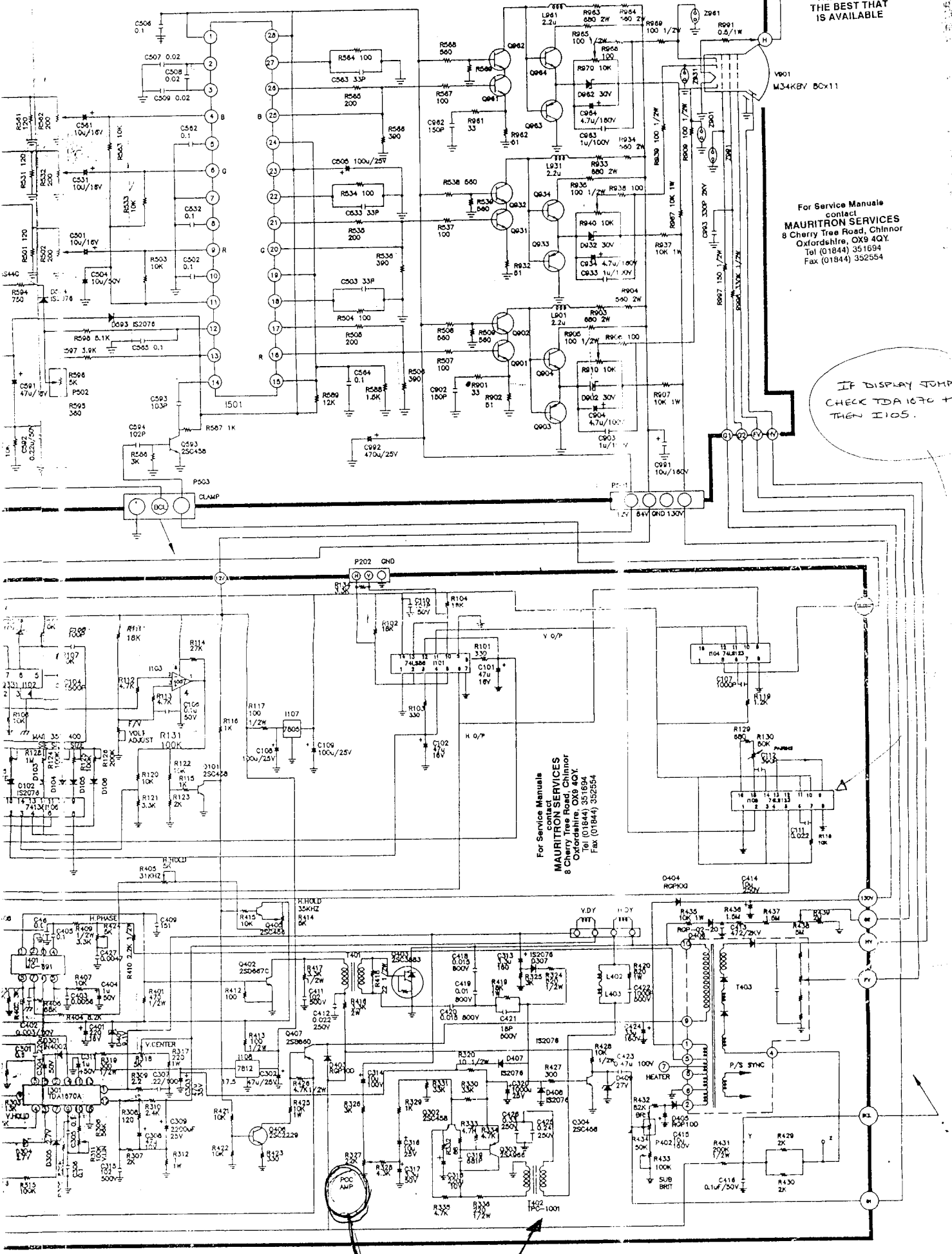
10V

0V

PWB-1002

Q901, Q831, Q941 Z5C4387
Q902, Q932, Q942 Z5C4044
Q903, Q833, Q943 Z5B7164D
Q904, Q834, Q944 Z5D7664D

THE QUALITY OF
THIS PAGE IS
THE BEST THAT
IS AVAILABLE



For Service Manual
contact
MAURITRON SERVICES
8 Cherry Tree Road, Chinnor
Oxfordshire, OX9 4QY.
Tel (01844) 351694
Fax (01844) 352554

IF DISPLAY JUMP
CHECK TDA 1070 +
THEN I105.

For Service Manuals
contact
MAURITRON SERVICES
8 Cherry Tree Road, Chinnor
Oxfordshire, OX9 4QY.
Tel (01844) 351694
Fax (01844) 352554

POC AMP